

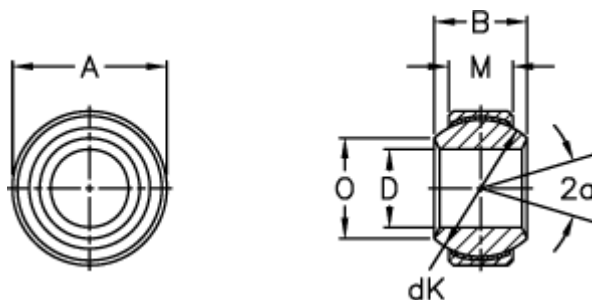
# Data Sheet



Article number: 03508070

Description: Fluro Rod end GE 70FW-2RS

## Measures



A = 120 0 -0,015

B = 70

D = 70 0 -0,015

dK = 105

Dynamic load C (kN) = 750

M = 45

O = 78.2

Static load C0 (kN) = 1500

Tilt angle = 16

Weight = 3000